

**Mobile Base for
14" Bandsaw w/Open Stand
Model: 13-321**

RIKON
POWER TOOLS



Note: Mobile Base and Stand Legs for
10-321 Bandsaw are Black in Color.

Parts List

For more information:

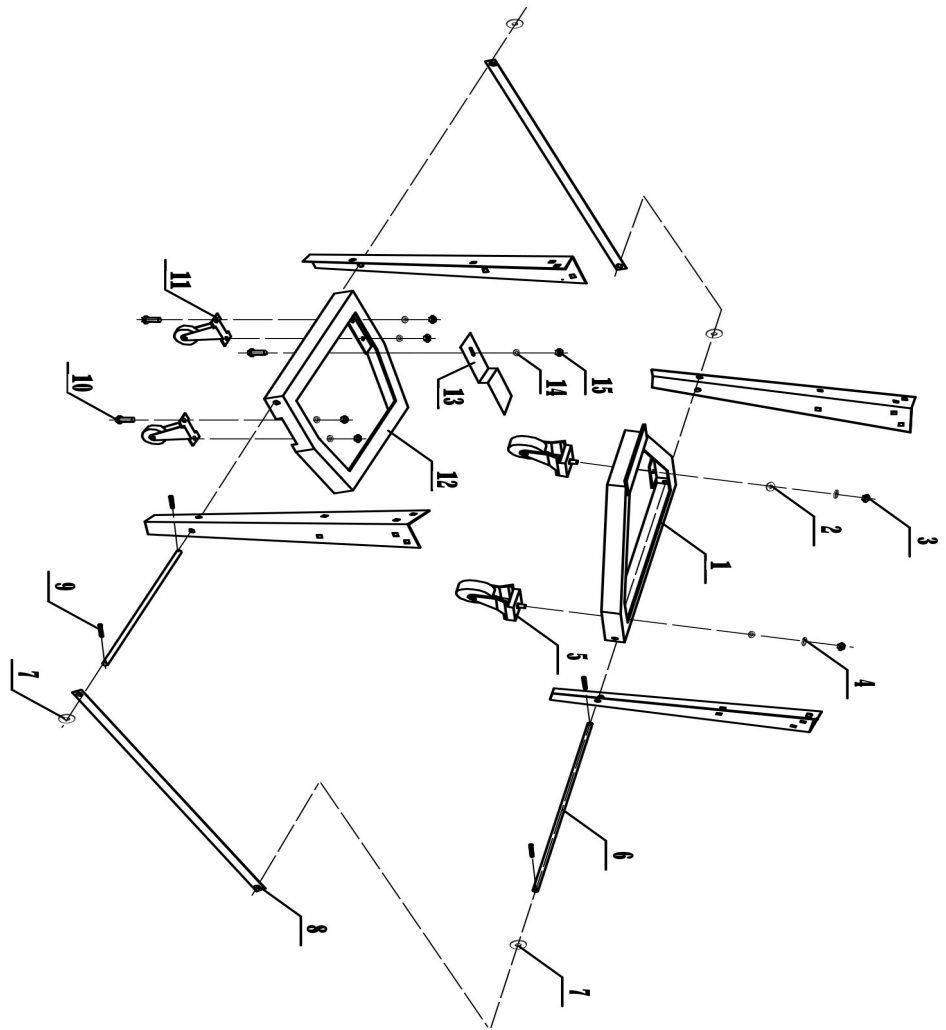
www.rikontools.com or info@rikontools.com

For Parts or Questions:

techsupport@rikontools.com or 877-884-5167

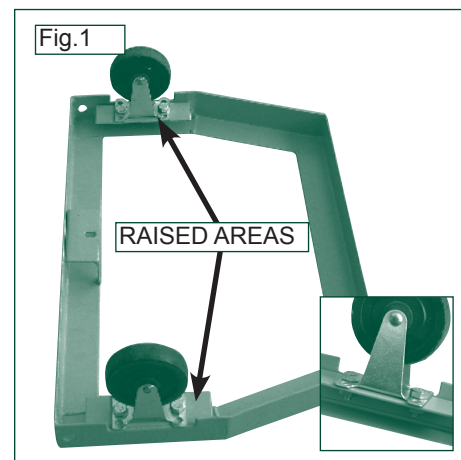
List of Loose Parts

Key#	Description	QTY
1	Pedal frame	1
2	Big washer	2
3	Hex. Nut	2
4	Spring washer	2
5	Movable castor	2
6	Shaft	1
7	Big washer	4
8	Brace support bar	2
9	Split pin	4
10	Hex. Screw	5
11	Castor	2
12	Movable frame	1
13	Release pedal	1
14	Flat washer	5
15	Hex. Nut	5



Mobile Base Assembly

1. On the underside of the movable frame, locate the two raised areas on either side. Mount the two back castors and secure in place using the nuts and bolts provided. Fig.1.



2. Locate the release pedal and install to the movable frame between the two castors. Fig.2.

