

16" Thickness Planer



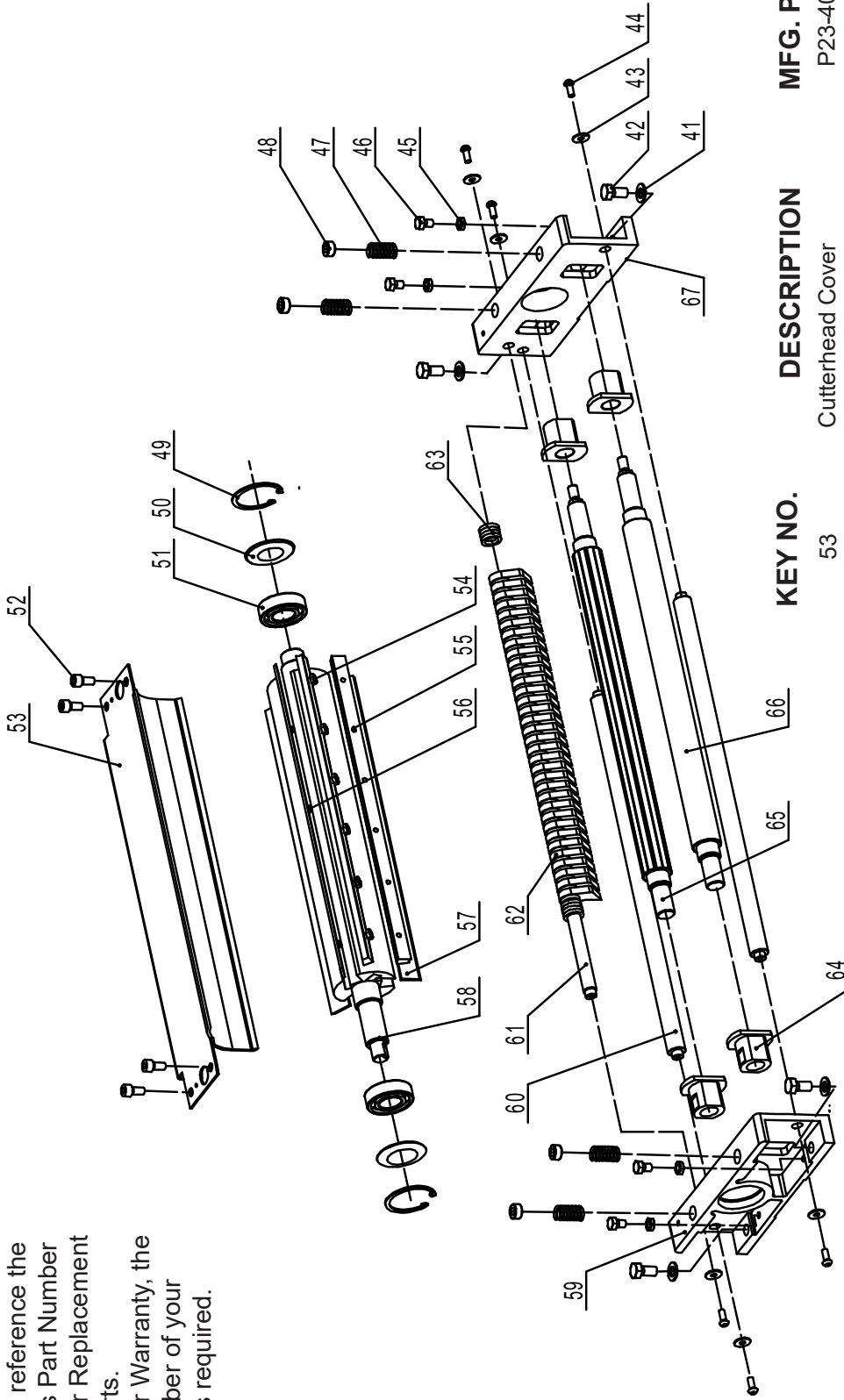
Parts List

PARTS DIAGRAM & PARTS LIST

CUTTERHEAD ASSEMBLY

NOTE: Please reference the Manufacturer's Part Number when calling for Replacement Parts.

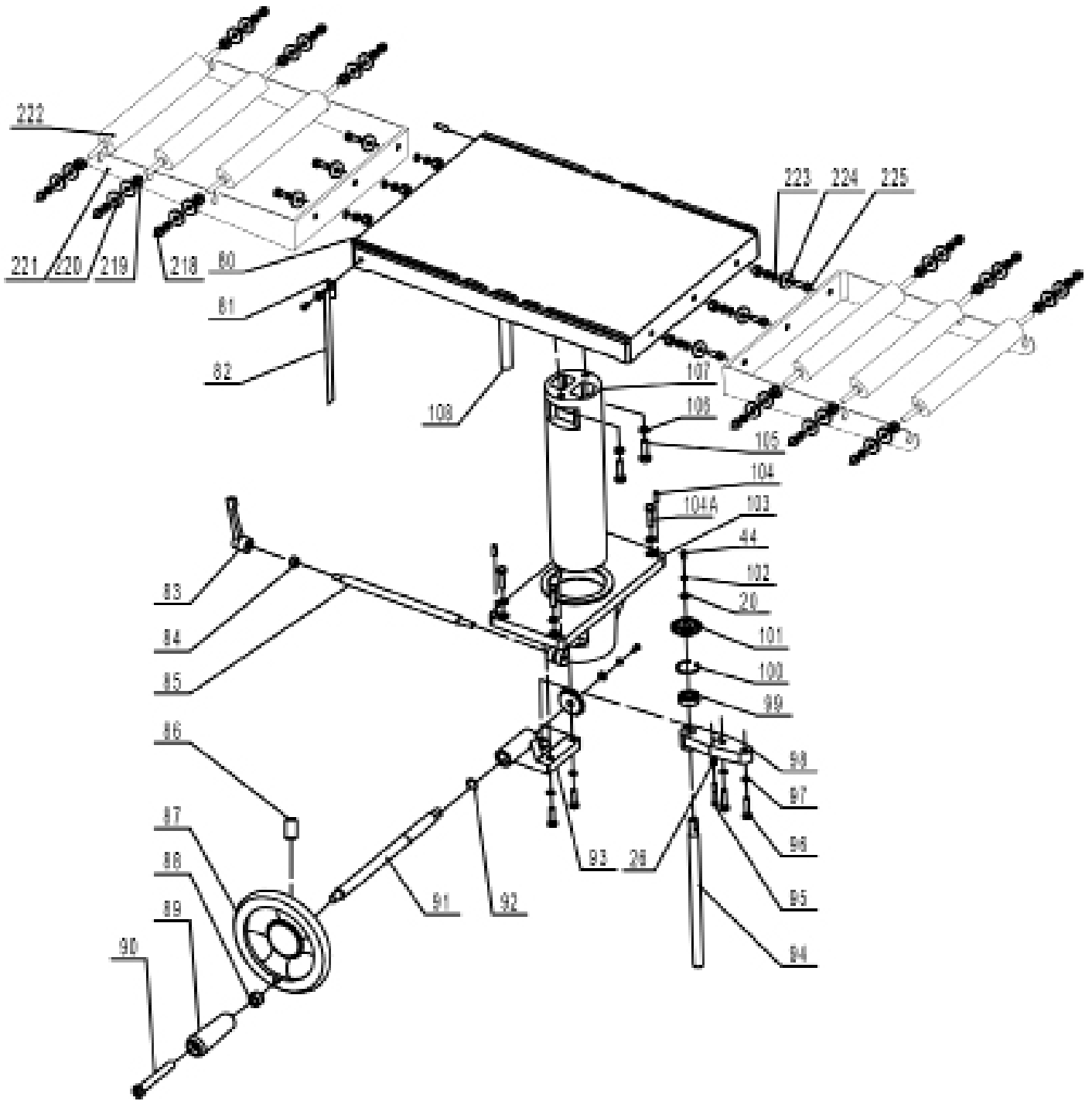
For Parts under Warranty, the Serial Number of your machine is required.



KEY NO.	DESCRIPTION	MFG. PART NO.
41	Flat Washer 10	P23-400-41
42	Hex Bolt M10x25	P23-400-42
43	Flat Washer 6	P23-400-43
44	Screw M6x12	P23-400-44
45	Hex Nut M8	P23-400-45
46	Hex Bolt M8x12	P23-400-46
47	Spring	P23-400-47
48	Screw	P23-400-48
49	Retaining Ring	P23-400-49
50	Wave Washer 52	P23-400-50
51	Bearing 6205	P23-400-51
52	Set Screw M6x12	P23-400-52
53	Cutterhead Cover	P23-400-53
54	Square Head Screw	P23-400-54
55	Locking Bar	P23-400-55
56	Spring	P23-400-56
57	Knife	P23-400-57
58	Cutter Block	P23-400-58
59	Cutterhead Bracket - left	P23-400-59
60	Support Rod	P23-400-60
61	Anti-Kickback Shaft	P23-400-61
62	Anti-Kickback Finger	P23-400-62
63	Adjusting Washer	P23-400-63
64	Tube	P23-400-64
65	Infeed Roller	P23-400-65
66	Outfeed Roller	P23-400-66
67	Cutterhead Bracket - right	P23-400-67

PARTS DIAGRAM

TABLE ASSEMBLY



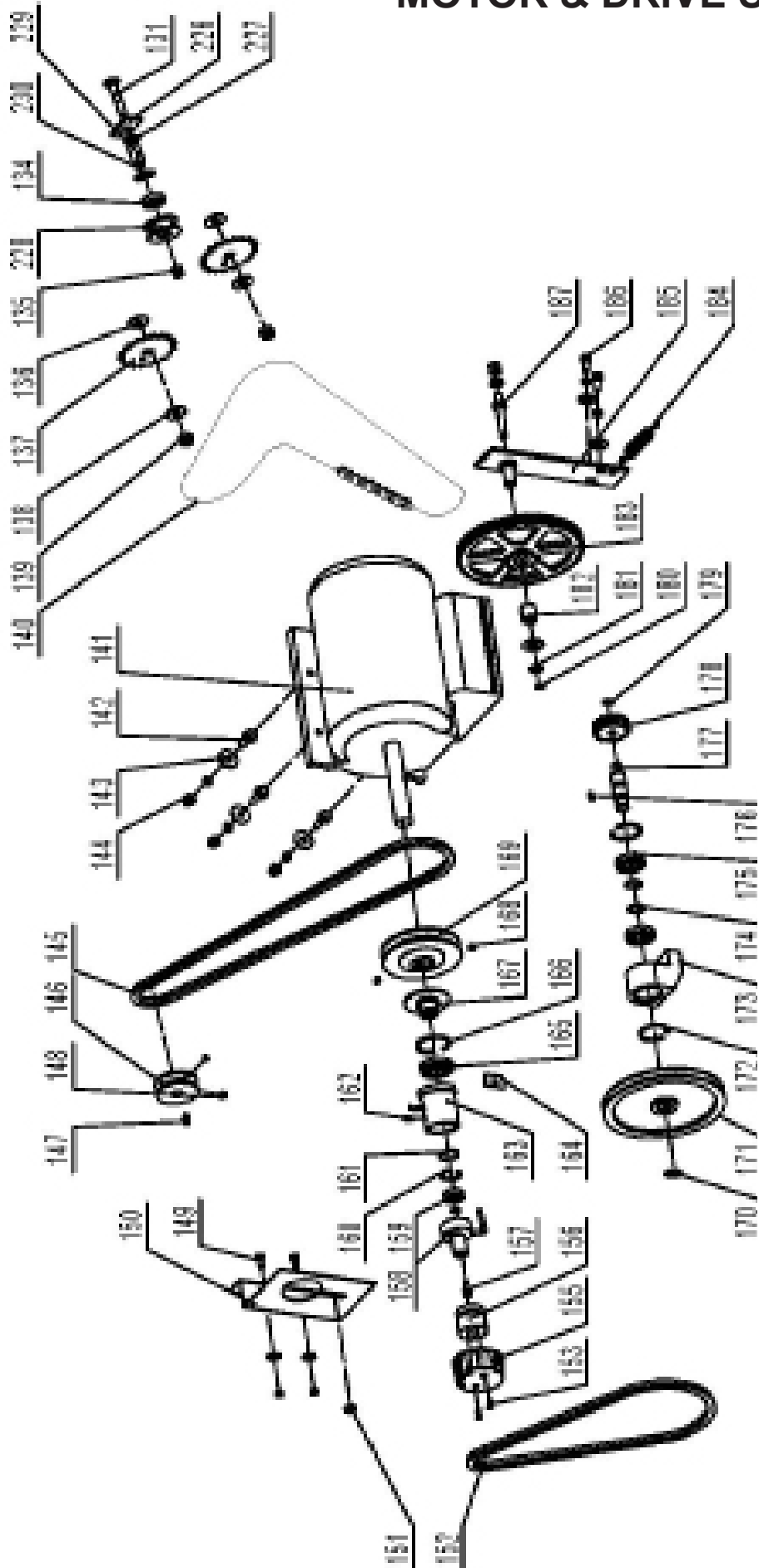
PARTS LIST

KEY NO.	DESCRIPTION	MFG. PART NO.
20	Flat Washer 8	P23-400-20
26	Hex Nut M6	P23-400-26
44	Screw M6x12	P23-400-44
80	Thickness Table	P23-400-80
81	Indicator	P23-400-81
82	Scale	P23-400-82
83	Lock Handle	P23-400-83
84	Hex Nut M10	P23-400-84
85	Locking Bar	P23-400-85
86	Set Screw M8x16	P23-400-86
87	Crank Handwheel	P23-400-87
88	Hex Nut M10	P23-400-88
89	Handle	P23-400-89
90	Handle Bolt	P23-400-90
91	Crank Bar	P23-400-91
92	Retaining Ring	P23-400-92
93	Bevel Gear Bracket	P23-400-93
94	Thread Rod	P23-400-94
95	Screw M6x40	P23-400-95
96	Hex Bolt M8x35	P23-400-96
97	Spring Washer	P23-400-97
98	Thread Rod Bracket	P23-400-98
99	Bearing 80202	P23-400-99
100	Retaining Ring 35	P23-400-100
101	Bevel Gear	P23-400-101
102	Flat Washer 6	P23-400-102
103	Column Support	P23-400-103
104	Set Screw M8x20	P23-400-104
104A	Hex Bolt M8x40	P23-400-104A
105	Hex Bolt M10x35	P23-400-105
106	Spring Washer 10	P23-400-106
107	Column	P23-400-107
108	Guide Bar	P23-400-108
218	Cap Nut	P23-400-218
219	Hex Nut	P23-400-219
220	Washer	P23-400-220
221	Side Table Support	P23-400-221
222	Side Table Roller	P23-400-222
223	Flat Washer	P23-400-223
224	Flat Washer	P23-400-224
225	Hex Bolt	P23-400-225

NOTE: Please reference the Manufacturer's Part Number when calling for Replacement Parts.
For Parts under Warranty, the Serial Number of your machine is required.

PARTS DIAGRAM

MOTOR & DRIVE SYSTEM



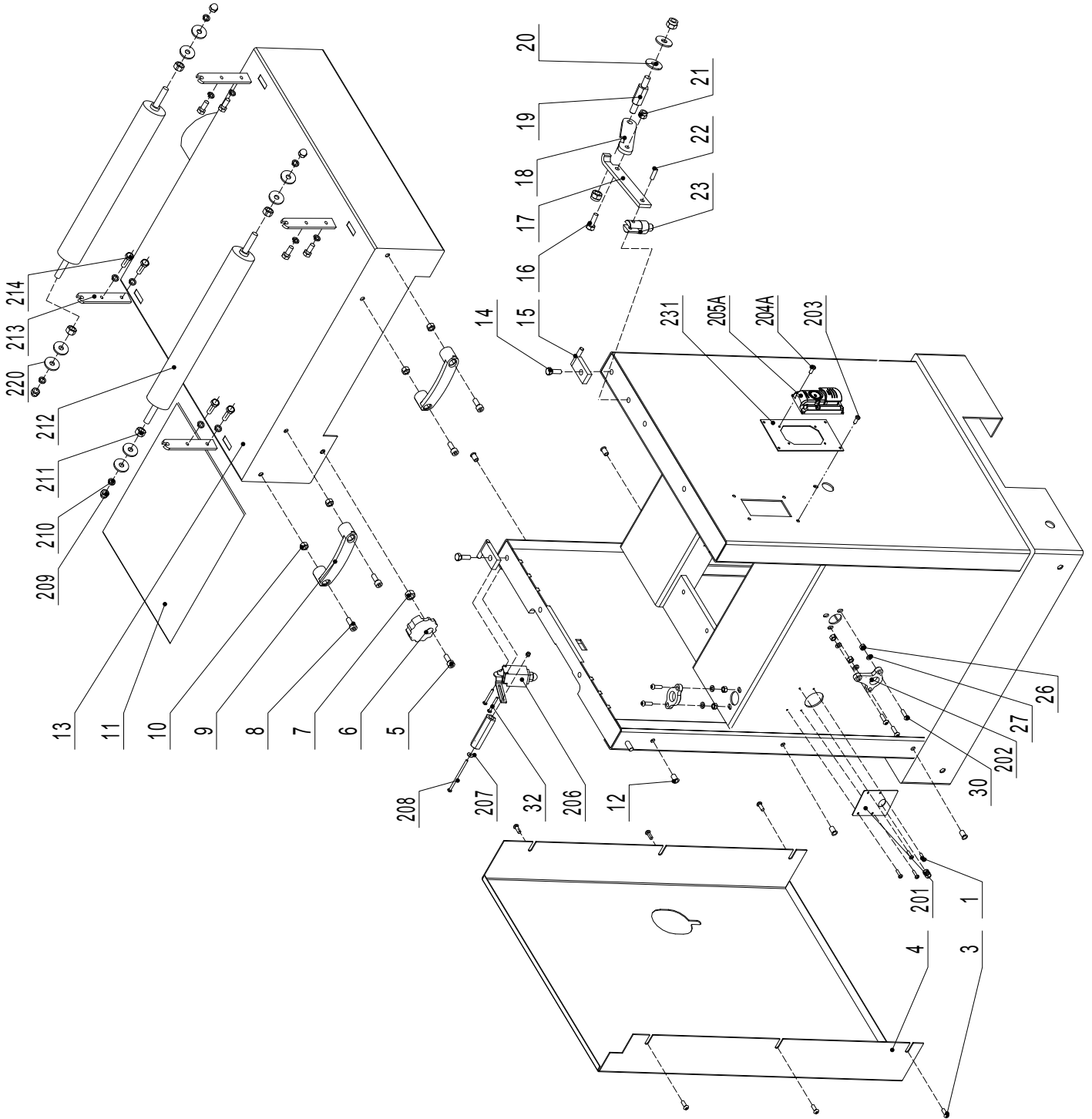
PARTS LIST

KEY NO.	DESCRIPTION	MFG. PART NO.	KEY NO.	DESCRIPTION	MFG. PART NO.
131	Carriage Bolt M12x70	P23-400-131	163	Tube	P23-400-163
134	Bearing 80203	P23-400-134	164	Scale	P23-400-164
135	Hex Nut M12	P23-400-135	165	Bearing 6005	P23-400-165
136	Washer	P23-400-136	166	Retaining Ring 47	P23-400-166
137	Chain Wheel	P23-400-137	167	Sliding Pulley	P23-400-167
138	Flat Washer 10	P23-400-138	168	Set Screw M8x8	P23-400-168
139	Lock Nut M10	P23-400-139	169	Motor Pulley	P23-400-169
140	Chain	P23-400-140	170	Retaining Ring 18	P23-400-170
141	Motor	P23-400-141	171	Pulley	P23-400-171
141A	Capacitor (not shown)	P23-400-141A	172	Retaining Ring 42	P23-400-172
142	Flange Bolt M8x25	P23-400-142	173	Bearing Seat	P23-400-173
143	Flat Washer 8	P23-400-143	174	Retaining Ring 20	P23-400-174
144	Cap Nut M8	P23-400-144	175	Bearing 80104	P23-400-175
145	Drive Belt	P23-400-145	176	Key 4x12	P23-400-176
146	Spindle Pulley	P23-400-146	177	Pulley Shaft	P23-400-177
147	Key 6x16	P23-400-147	178	Small Gear	P23-400-178
148	Set Screw M8x6	P23-400-148	179	Retaining Ring 12	P23-400-179
149	Hex Bolt M6x16	P23-400-149	180	Retaining Ring 10	P23-400-180
150	Panel	P23-400-150	181	Retaining Ring 15	P23-400-181
151	Cable Tube	P23-400-151	182	Pulley Tube	P23-400-182
152	Drive Belt	P23-400-152	183	Pulley	P23-400-183
153	Pan Head Screw	P23-400-153	184	Spring	P23-400-184
155	Adjusting Knob	P23-400-155	185	Wheel Bracket	P23-400-185
156	Adjusting Nut	P23-400-156	186	Hex Bolt M8x20	P23-400-186
157	Hex Socket Head Screw	P23-400-157	187	Pulley Shaft	P23-400-187
158	Position Bar	P23-400-158	226	Base Plate	P23-400H-226
159	Bearing 80101	P23-400-159	227	Washer	P23-400H-227
160	Retaining Ring 28	P23-400-160	228	Wheel	P23-400H-228
161	Retaining Ring 25	P23-400-161	229	Tube	P23-400H-229
162	Set Screw M6x8	P23-400-162	230	Retaining Ring	P23-400H-230

NOTE: Please reference the Manufacturer's Part Number when calling for Replacement Parts.
For Parts under Warranty, the Serial Number of your machine is required.

PARTS DIAGRAM

CABINET & CONTROLS



PARTS LIST

KEY NO.	DESCRIPTION	MFG. PART NO.	KEY NO.	DESCRIPTION	MFG. PART NO.
1	Pan Head Screw M4x8	P23-400-1	23	Support Shaft	P23-400-23
3	Hex Screw M6x16	P23-400-3	26	Hex Nut M6	P23-400-26
4	Side Panel	P23-400-4	27	Flat Washer 6	P23-400-27
5	Screw M10x25	P23-400-5	30	Set Screw M6x20	P23-400-30
6	Lock Knob	P23-400-6	32	Pan Head Screw M4x30	P23-400-32
7	Lock Nut M10	P23-400-7	201	Switch Plate	P23-400-201
8	Screw M8x30	P23-400-8	202	Ring	P23-400H-202
9	Handle	P23-400-9	203	Pan Head Screw M4x10	P23-400-203
10	Lock Nut M8	P23-400-10	204A	Pan Head Screw M4x16	P23-400-204A
11	Insulating Foam	P23-400-11	205A	On/Off Switch	P23-400-205A
12	Nut M6x15	P23-400-12	206	Micro Switch	P23-400-206
13	Upper Cover	P23-400-13	207	Flat Washer	P23-400-207
14	Hex Bolt M10x25	P23-400-14	208	Pan Head Screw M4x50	P23-400-208
15	Bracket	P23-400-15	209	Cap Nut	P23-400-209
16	Hex Bolt M6x20	P23-400-16	210	Spring Washer	P23-400-210
17	Support Bracket I	P23-400-17	211	Hex Nut	P23-400-211
18	Support Bracket II	P23-400-18	212	Roller	P23-400-212
19	Shaft	P23-400-19	213	Roller Support	P23-400-213
20	Flat Washer 8	P23-400-20	214	Hex Bolt M8x16	P23-400-214
21	Lock Nut M6	P23-400-21	220	Washer	P23-400-220
22	Roll Pin 5x16	P23-400-22	231	Switch Board Plate	P23-400-231

NOTE: Please reference the Manufacturer's Part Number when calling for Replacement Parts.
For Parts under Warranty, the Serial Number of your machine is required.

ACCESSORIES



C20-916 16" HSS KNIVES - Set of 3

Single edge, pre-sharpened High Speed Steel knives measure 16- 1/8" long x 1" wide x 1/8" thick. Set of 3 knives.