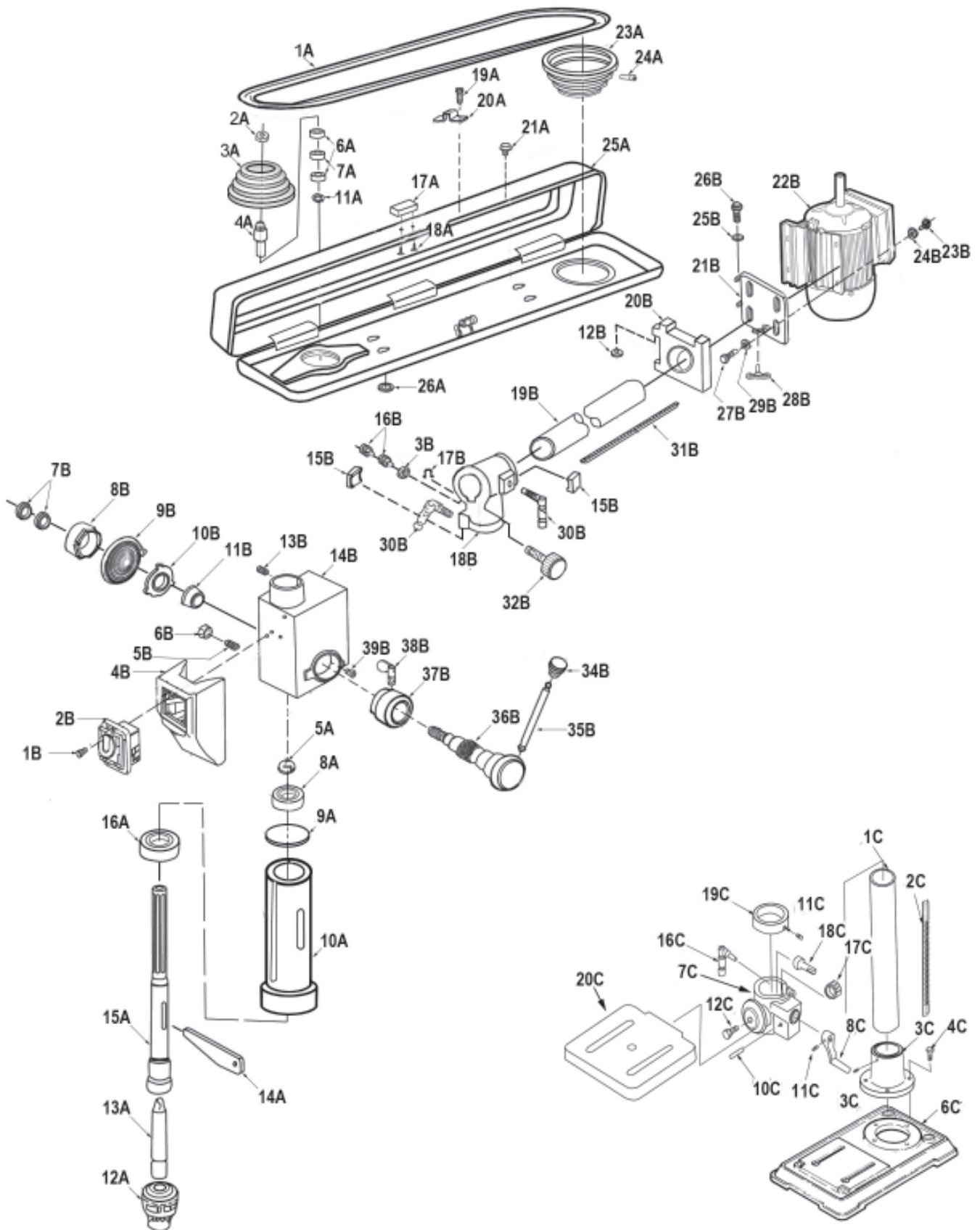


# 34" Radial Bench Drill Press



## Parts List

# Parts Explosion



# Parts List

Key No.	Part No.	Description	Key No.	Part No.	Description
1A	1-0405010	BELT-"V"	18B	1-0402002-00001G	GUIDE-COLUMN
2A	1-1302025	PULLEY NUT	19B	1-0401017	HORIZONTAL-TUBE
3A	1-0805006-01001G	SPINDLE PULLEY	20B	1-0402003-00001G	MOUNT-COVER
4A	1-1308022	INSERT PULLEY	21B	1-0402001-00001G	MOUNT-MOTOR
5A	1-CLP11GB894D1B	RING-RETAINING	22B	1-G7812644-00001G	MOTOR
6A	1-BRG80203GB278	BEARING-BALL	23B	1-M8GB6170B	NUT HEX
7A	1-1302023	SPACER 1302023	24B	1-WSH8GB97D1B	WASHER
8A	1-BRG80201GB278	BEARING-BALL	25B	1-WSH8GB97D1Z	NUT HEX
9A	1-1303003	WASHER RUBBER	26B	1-M8X16GB5781B	SCREW-HEX
10A	1-1303002-02	TUBE-QUILL	27B	1-M8X20GB5781B	SCREW-HEX
11A	1-CLP17GB894D1B	RETAINING RING	28B	1-0402005	THUMB NUT
12A	1-Z103116	CHUCK	29B	1-WSH8GB97D1B	WASHER
13A	1-Z402003	ARBOR	30B	1-1501013-01001S	CLAMPING-LEVER
14A	1-1503008	KEY-DRIFT	31B	1-0401018	HORIZONTAL-RACK
15A	1-1303001-01	SPINDLE	32B	1-JL22024001&2-001S	MOVING-BAR
16A	1-BRG80204GB278	BEARING-BALL	34B	1-1504011-01001S	FEED-KNOB
17A	1-0405008-00001S	KNOB	35B	1-1304005-01	FEED-ROD
18A	1-M5X6GB818B	SCREW	36B	1-1304002	HUB
19A	1-M5X12GB818B	SCREW	37B	1-1304003	RING-DEPTH STOP
20A	1-1502014	CLAMP CORD	38B	1-1504012	LOCK-DEPTH SCREW
21A	1-M6X12GB907D1Z	SCREW	39B	1-1304010	PIN-STOP
23A	1-0805005-02001G	MOTOR PULLEY	1C	1-1501003	COLUMN
24A	1-M6X10GB80B	SCREW	2C	1-1501010	RACK
25A	1-0405000-00049W	BELT GUARD	3C	1-M10X12GB80Z	SCREW
26A	1-0403106	FORM WASHER	4C	1-1501002-00001G	COLUMN SUPPORT
1B	1-ST4D2X9D5GB845Z	TAPPING SCREW	5C	1-M10X40GB5781B	HEX BOLT
2B	1-CB-8B	NO-VOLT SWITCH	6C	1-1301001-02001G	BASE
3B	1-JL20061003-001S	NUT	7C	1-1501004-00001G	TABLE SUPPORT
4B	1-U1302008-00001S	BOX SWITCH	8C	1-1501009-10001G&20001S	CRANK
5B	1-1302021	SCREW 1302021	10C	1-1501007	PIN GEAR
6B	1-M8GB6170B	NUT-HEX	11C	1-M6X10GB80B	SCREW
7B	1-1504013	NUT-HEX	12C	1-M16X35GB5781B	HEX BOLT
8B	1-1504008	CAP-SPRING	13C	1-1501013-01001S	TABLE CLAMP
9B	1-1504009	SPRING-TORSION	14C	1-0401005	ARM
10B	1-1504007	RETAINER-SPRING	16C	1-1501012-01001S	SUPPORT CLAMP
11B	1-1504006	SEAT-SPRING	17C	1-1501006	GEAR-HELICAL
12B	1-WSH8GB97D1Z	WASHER	18C	1501008	WORM-ELEVATION
13B	1-M8X8GB80B	SCREW-SOCKET SET	19C	1501011	COLUMN COLLAR
14B	1-0402001-0050B	HEAD	20C	1-1301014-01001G	TABLE
15B	1-0402006	LOCKING SHOE	21C	1-0401023	EXTEND ARM
16B	1-0401025	HEX SCREW	22C	1-1502005	TABLE CLAMP
17B	1-0402004	RING-RETAINING			