

RIKON
POWER TOOLS®

70-220VSR

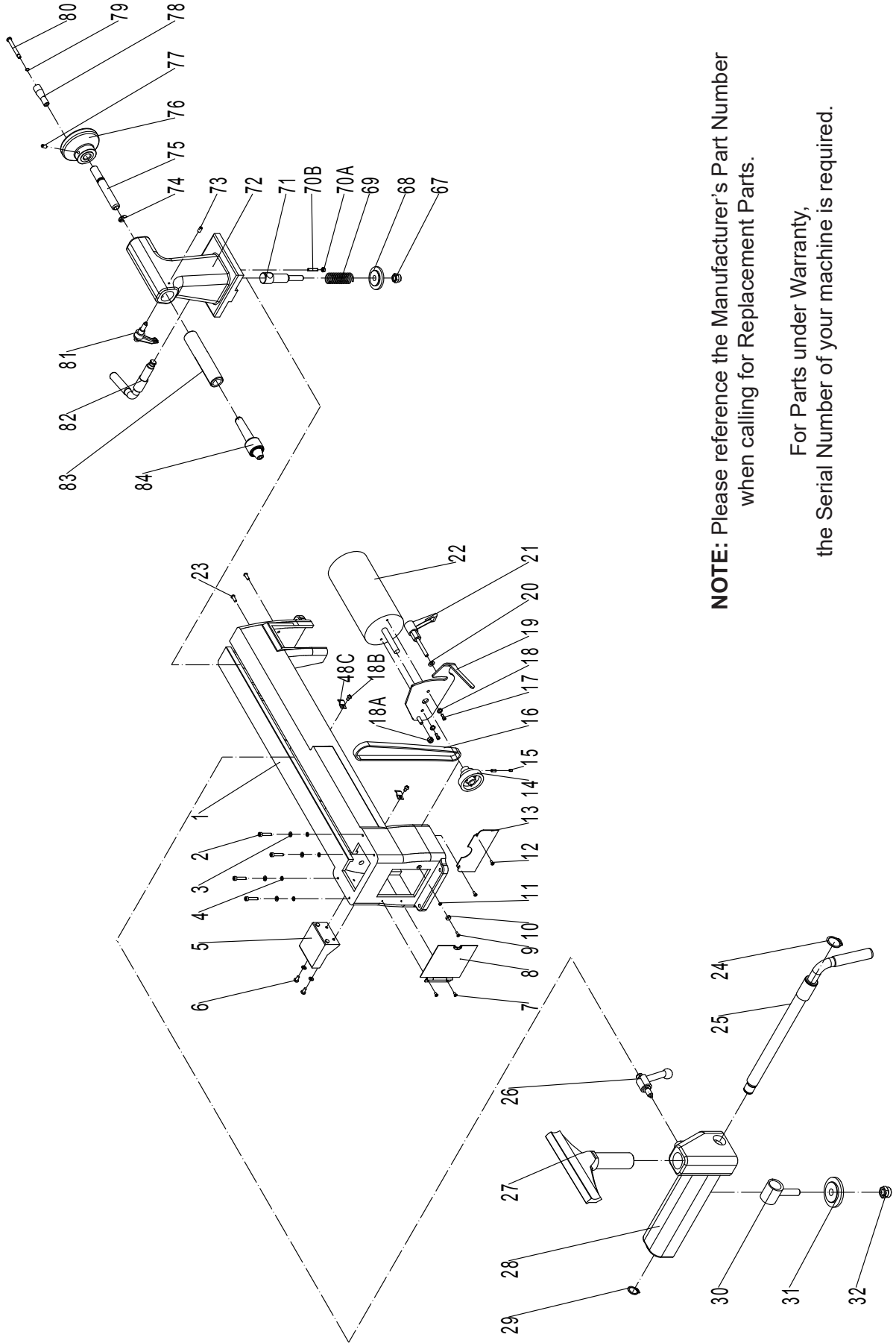
12-1/2" x 20" MIDI VSR Lathe



Parts List

70-220VSR BED ASSEMBLY

PARTS DIAGRAM



NOTE: Please reference the Manufacturer's Part Number when calling for Replacement Parts.

For Parts under Warranty,
the Serial Number of your machine is required.

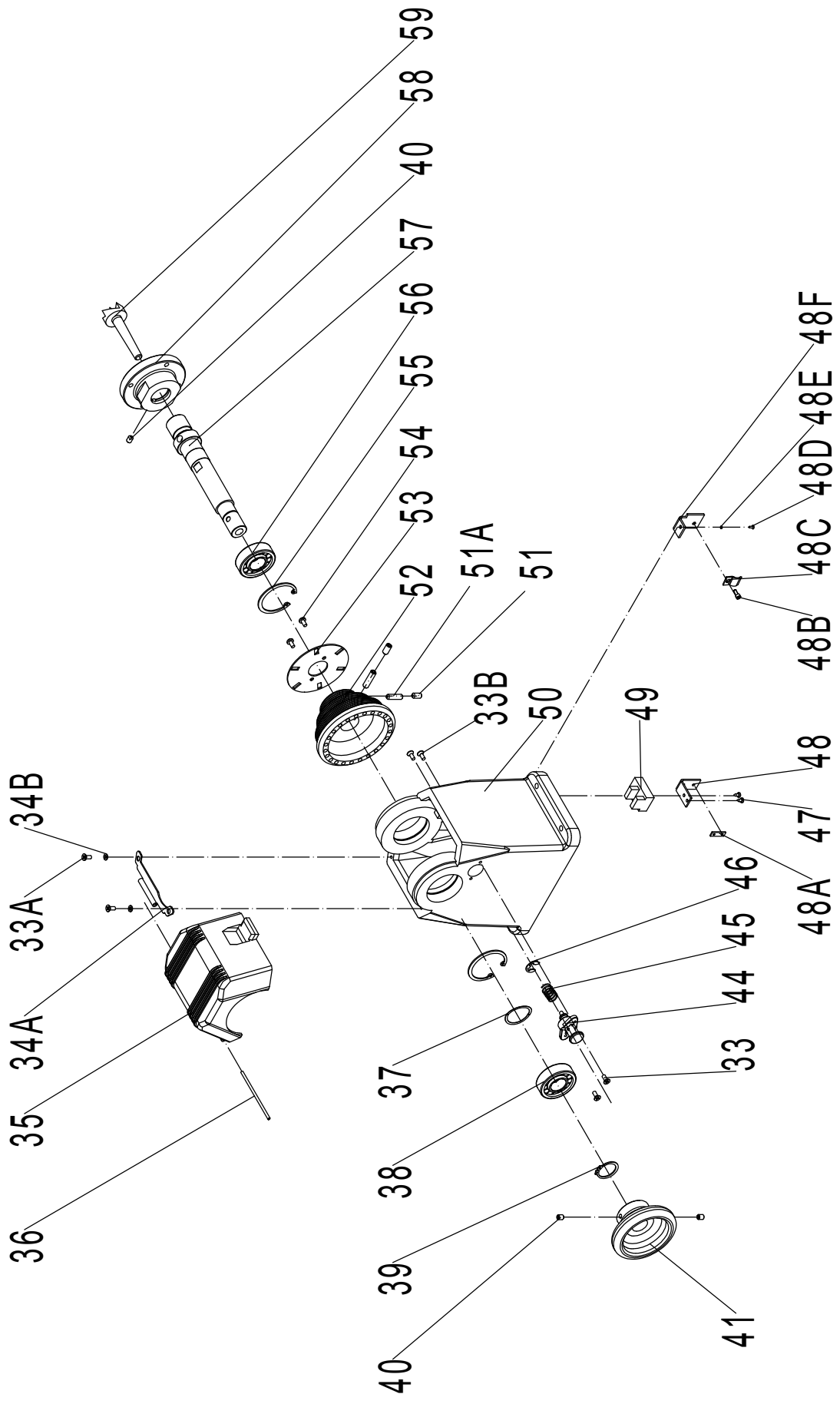
PARTS LIST

70-220VSR BED ASSEMBLY

KEY NO.	DESCRIPTION	QTY	MFG. PART NO.
1	Bed	1	1-JMWL1203010002-076L
2	Hexagon socket cap screw	4	1-M6X30GB70B
3	Flat washer	6	1-WSH6GB97D1B
4	Lock washer	4	1-WSH6GB93B
5	Tool holder	1	1-JL93010017-001S
6	Cross pan head screw	2	1-M6X12GB818B
7	Countersunk head screw	2	1-M4X10GB819B
8	Bed cover plate door	1	1-JMWL1203011000-076U
9	Countersunk head screw	1	1-M4X12GB819Z
10	Magnet	1	1-JMWL1203010006
11	Nut	1	1-M4GB6170B
12	Half-Countersunk head screw	2	1-M4X10GB818B
13	Plate	1	1-JMWL1203010005
14	Motor pulley	1	1-JMWL1203010007
15	Socket head cap screw	2	1-M6X5GB80B12D9
16	Poly-v-belt	1	1-JMWL1203010001
17	Hex socket cap screw	2	1-M6X16GB70D2Z
18	Lock washer	2	1-WSH6GB93Z
18A	Self-locking nut	1	1-M8GB889D1Z
18B	Cross pan head screw	2	1-M5X10GB818B
19	Motor connecting plate	1	1-JMWL1203010004
20	Big washer	1	1-WSH8GB96Z
21	Locking handle	1	1-KTSB-1-B-M8X63X25
22	Motor	1	1-Z3612020
23	Hex socket cap screw	2	1-M6X16GB70D2B
24	Retaining ring	1	1-CLP21GB894D1B
25	Locking lever	1	1-JMWL1203050004
26	Locking handle	1	1-KTSB-1-B-M8X63X32
27	Tool rest	1	1-JMWL1203050001A-076L
28	Tool rest base	1	1-JMWL1203050003-117L
29	Retaining ring	1	1-CLP15GB894D1B
30	Threaded shaft & sleeve	1	1-JMWL1203050002
31	Clamping plate	1	1-JL93030012
32	Self-locking nut	1	1-M10GB889D1B
67	Self-locking nut	1	1-M10GB889D1B
68	Clamping plate	1	1-JL93030012
69	Compression spring	1	1-JMWL1203040004
70A	Nut	1	1-M5GB6170B
70B	Set screw	1	1-M5X25GB77B
71	Threaded shaft	1	1-JMWL1203040002
72	Tailstock	1	1-JMWL1203040003A-117L
73	Set screw	1	1-M5X12GB79B
74	Retaining ring	1	1-CLP12GB896B
75	Tailstock shaft	1	1-JMWL1203040008
76	Hand wheel	1	1-JMWL1203040005
77	Socket head cap screw	1	1-M6X8GB80B12D9
78	Rotation handle	1	1-JL93030007
79	Spring coil	1	1-JMWL1203040007
80	Screw	1	1-JL93030008
81	Locking handle	1	1-JMWL1203041000
82	Tailstock locking lever	1	1-JMWL1203040001
83	Tailstock locking shaft (Quill)	1	1-JMWL1203040009
84	Live center	1	1-JL93031000A

PARTS DIAGRAM

70-220VSR HEADSTOCK ASSEMBLY



NOTE: Please reference the Manufacturer's Part Number when calling for Replacement Parts.
For Parts under Warranty, the Serial Number of your machine is required.

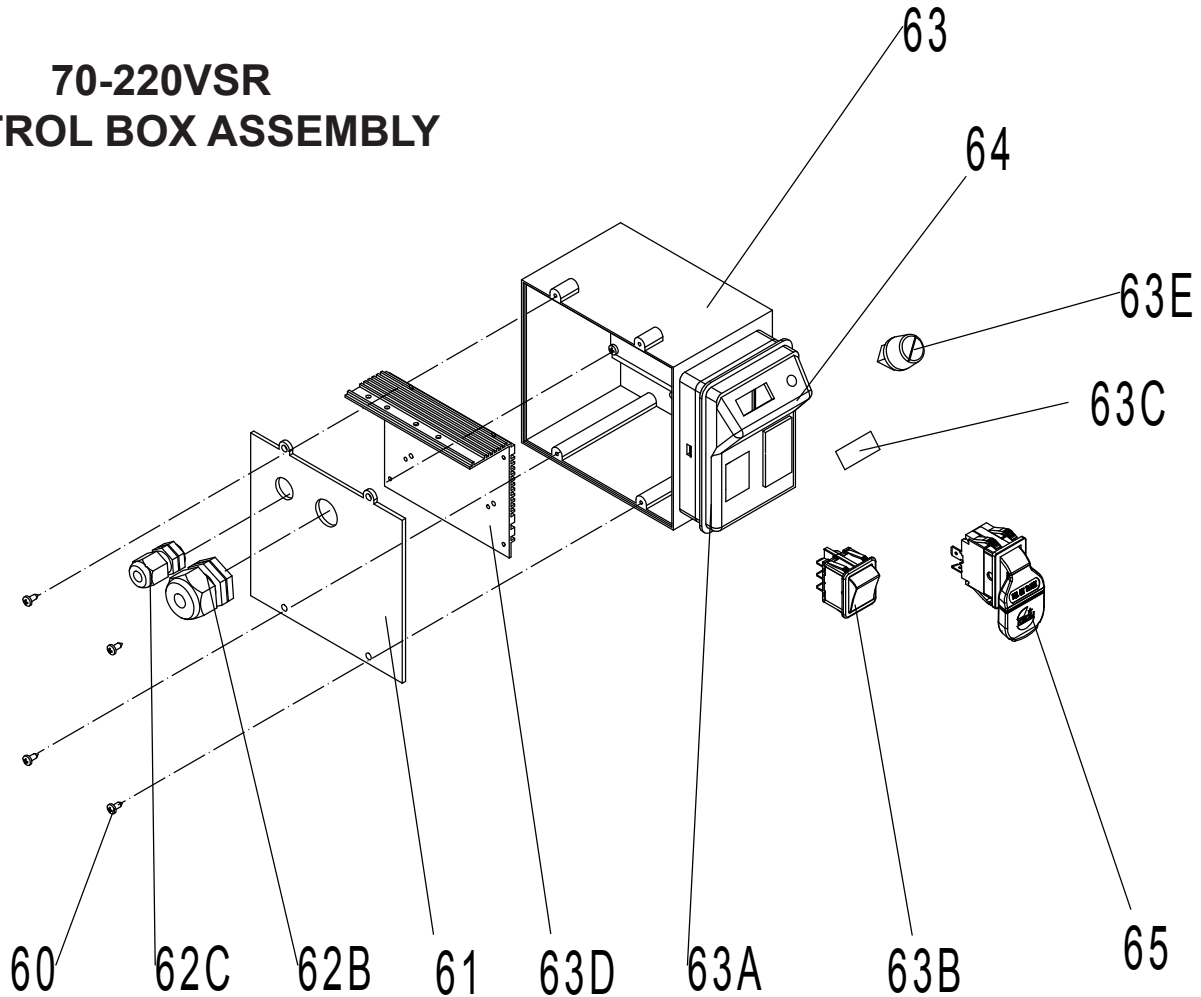
PARTS LIST

KEY NO.	DESCRIPTION	QTY	MFG. PART NO.
33	Countersunk Phillips screw M4X10	2	1-M4X10GB819B
33A	Screw	2	1-M4X10GB823B
33B	Cross pan head screw	2	1-M4X16GB819B
34A	Hinge	1	1-JMWL1203020002B
34B	Flat washer	2	1-WSH4GB97D1B
35	Headstock cover	1	1-JMWL1203020001-001S
36	Hinge shaft	1	1-JMWL1203020003
37	Wave washer	1	1-JL93010008
38	Bearing	1	1-BRG6204-2RS-P5GB276
39	Retaining ring	1	1-CLP20GB894D1B
40	Socket head cap screw	3	1-M6X8GB80B
41	Hand wheel	1	1-JMWL1203020013
42	Roll pin (not shown, part of #44)	1	1-PIN3X14GB879B
43	Index pin knob & shaft (not shown, ref. #44)	1	1-JMWL1203020008
44	Index pin assembly	1	1-JMWL1203021000
45	Spring	1	1-JMWL1203020009
46	Split washer	1	1-CLP9GB896B
47	Tapping screw	2	1-ST2D9X6D5GB845Z
48	Support bracket	1	1-JMWL1203020012
48A	Threaded plate	1	1-JL27010017
48B	Cylinder head hex socket bolt	1	1-M5X8GB70D1B
48C	Cable plate	3	1-1502014-02
48D	Cross pan head screw	1	1-M4X8GB818Z
48E	Flat washer	1	1-WSH4GB97D1Z
48F	Plate	1	1-JMWL1203020014
49	Sensor module Assembly	1	1-JMWL1203091003
50	Headstock	1	1-JMWL1203020005-117L
51	Socket head cap screw M6x6	2	1-M8X6GB80B12D9
51A	Socket head cap screw M6x16	2	1-M8X16GB80B12D9
52	Spindle pulley	1	1-JMWL1203020006
53	Segmented RMP plate	1	1-JMWL1203020007
54	Hexagon socket cap screw	2	1-M4X10GB70Z
55	Retaining ring C-clip	2	1-CLP47GB893D1B
56	Bearing	1	1-BRG6005-2RSV2GB276
57	Spindle	1	1-JMWL1203020004
58	3" Face plate	1	1-JMWL1203020010
59	Spur center	1	1-JL93011100

70-220VSR HEADSTOCK ASSEMBLY

PARTS DIAGRAM & PARTS LIST

70-220VSR CONTROL BOX ASSEMBLY



KEY NO.	DESCRIPTION	QTY	MFG. PART NO.
60	Tapping screw	4	1-ST4D2X13GB845B
61	Plastic electric box cover	1	1-JMWL1203090003-001S
62B	M20 Pull off	1	1-DJJH7120
62C	M16 Pull off	1	1-JL91046300
63	Plastic electric box	1	1-JMWL1203090002-001S
63A	Control box assembly	1	2-JMWL1203091000B
63B	Switch - FWD REV	1	1-HY12-6P-01
63C	Digital readout	1	1-JMWL1203090008
63D	Actuator	1	1-JMWL1203090100B
63E	Speed control knob	1	1-JMWL1203090005
63EA	Speed control assembly *	1	P70-220VSR-64A1
64	Switch box cover	1	1-JMWL1203090001-001S
65	Key switch assembly	1	1-HY18-32A

* Not Shown

NOTE: Please reference the Manufacturer's Part Number when calling for Replacement Parts.
For Parts under Warranty, the Serial Number of your machine is required.

ACCESSORIES

70-901 24" LATHE BED EXTENSION

Made of heavy cast iron, it bolts to the right end of the 70-220VSR Midi Lathe to extend the lathe's working spindle length capacity to 44".



ADDITIONAL LATHE ACCESSORIES

For additional lathe accessories or replacement parts, contact your local RIKON distributor, or visit the RIKON website at www.rikontools.com.

Tool rests, Face Plates, Drive Centers, Spur & Live Centers, Drill Chuck & Arbor, Drive Belts, etc.

70-920 LATHE STAND

Universal, all-steel Stand adjusts from 23-1/4" to 37-1/4" long, and 24-1/2" to 34-1/2" working height.



70-913 LATHE STAND EXTENSION

Universal, all-steel Stand Extension bolts onto the 70-910 and 70-920 stands to support lathes with Bed Extensions. The stand extension adjusts from 18-3/4" to 32-1/4" long, and 24-1/2" to 34-1/2" working height.

