

8" Low Speed Bench Grinder



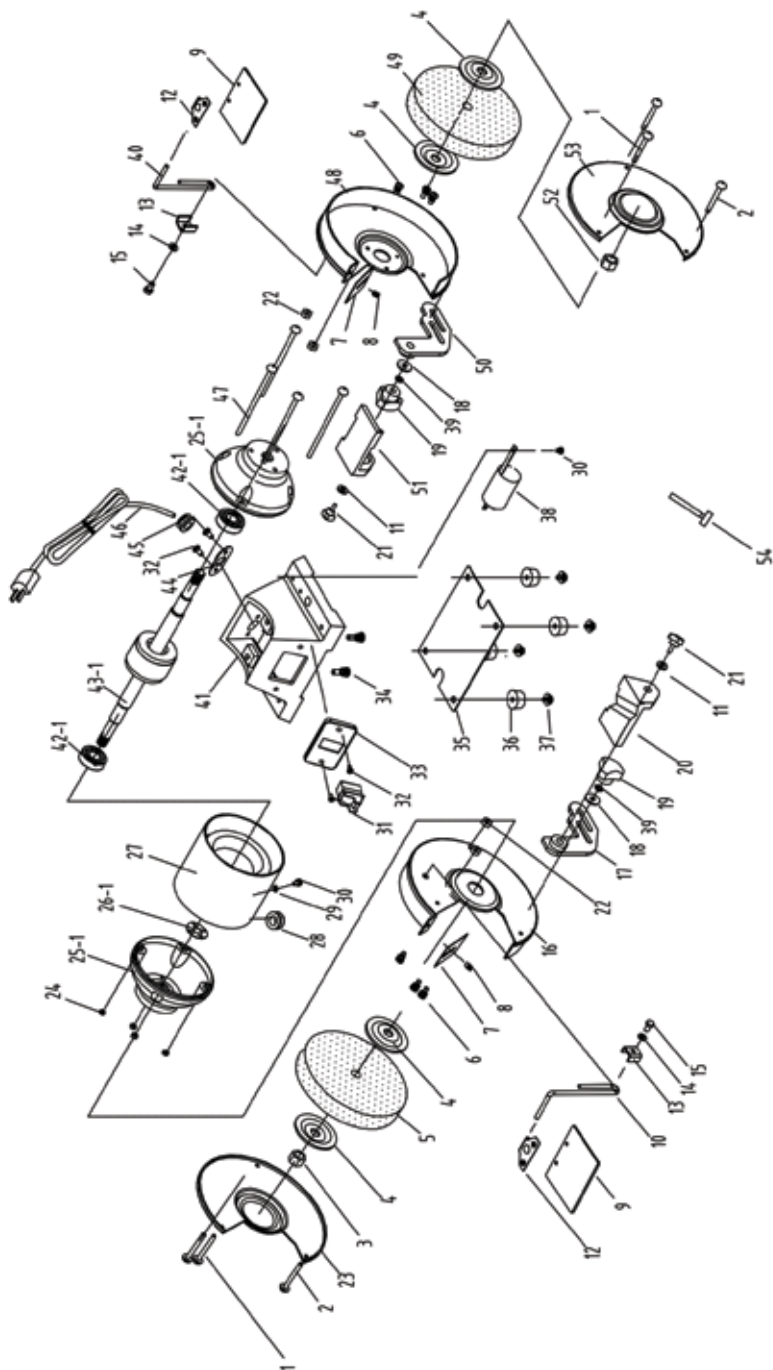
Parts List

PARTS EXPLOSION

NOTE: Please reference the Manufacturer's Part Number when calling for Replacement Parts.

For Parts under Warranty,
the Serial Number of your machine is required.

80-805 8" LOW SPEED BENCH GRINDER



PARTS LIST

KEY NO.	DESCRIPTION	QTY	MFG. PART NO.	KEY NO.	DESCRIPTION	QTY	MFG. PART NO.
1	Phillips Head Screw M5x48	4	P80-805-1	28	Power Cord Bushing	1	P80-805-28
2	Carriage Bolt M5x51	2	P80-805-2	29	Toothed Washer D4	1	P80-805-29
3	Wheel Hexagon Nut - LH M16	1	P80-805-3	30	Phillips Hd Scr+Spring Wash+Fit Wash M4x8	2	P80-805-30
4	Flange	4	P80-805-4	31	ON/OFF Switch with Safety Lock	1	P80-805-31
5	Grinding Wheel 120 Grit 8"x1"x5/8"	1	P80-805-5	32	Phillips Head Screw M5x8	4	P80-805-32
6	Phillips Hd Screw + Spring Washer M5x10	6	P80-805-6	33	Switch Plate	1	P80-805-33
7	Spark Arrestor	2	P80-805-7	34	Hex Head Bolt + Spring Washer M8x22	2	P80-805-34
8	Phillips Hd Scr+Spr Wash+Flat Wash M5x10	2	P80-805-8	35	Bottom Base Cover	1	P80-805-35
9	Left Eyesfield	2	P80-805-9	36	Rubber Foot	4	P80-805-36
10	Left Eyesfield Mounting Rod	1	P80-805-10	37	Phillips Head Screw + Flat Washer M5x16	4	P80-805-37
11	Flat Washer - washer 6	2	P80-805-11	38	Capacitor	1	P80-805-38
12	Eyesfield Mounting Plate Assembly - #2	2	P80-805-12	39	Spring Washer D5	2	P80-805-39
13	Eyesfield Mounting Rod Holder - #2	2	P80-805-13	40	Right Eyesfield Mounting Rod	1	P80-805-40
14	Flat Washer - washer 6	2	P80-805-14	41	Motor Base	1	P80-805-41
15	Hex Head Bolt M6x14	2	P80-805-15	42-1	Bearing 6204	2	P80-805-42-1
16	Left Inner Wheel Guard Cover	1	P80-805-16	43-1	Shaft & Rotor Assembly	1	P80-805-43-1
17	Left Tool Rest Support	1	P80-805-17	44	Clip Plate	1	P80-805-44
18	Flat Washer - washer 5	2	P80-805-18	45	Power Cord Strain Relief	1	P80-805-45
19	Tool Rest Support Locking Knob	2	P80-805-19	46	Power Cord	1	P80-805-46
20	Left Tool Rest w/Drill Sharpening Groove	1	P80-805-20	47	Phillips Head Screw + Flat Washer M5x148	4	P80-805-47
21	Tool Rest Locking Knob	2	P80-805-21	48	Right Inner Wheel Guard Cover	1	P80-805-48
22	Hexagon Washer Nut (Black) M5	4	P80-805-22	49	Grinding Wheel 60 Grit 8"x1"x5/8"	1	P80-805-49
23	Left Outer Wheel Guard Cover	1	P80-805-23	50	Right Tool Rest Support	1	P80-805-50
24	Hexagon Washer Nut (white) M5	4	P80-805-24	51	Right Tool Rest	1	P80-805-51
25-1	Motor End Cover	2	P80-805-25-1	52	Wheel Hexagon Nut - RH M16	1	P80-805-52
26-1	Wavy Washer D40	1	P80-805-26-1	53	Right Outer Wheel Guard Cover	1	P80-805-53
27	Motor Housing	1	P80-805-27	54	Wheel Dressing Tool	1	P80-805-54

NOTE: Please reference the Manufacturer's Part Number when calling for Replacement Parts.

For Parts under Warranty, the Serial Number of your machine is required.